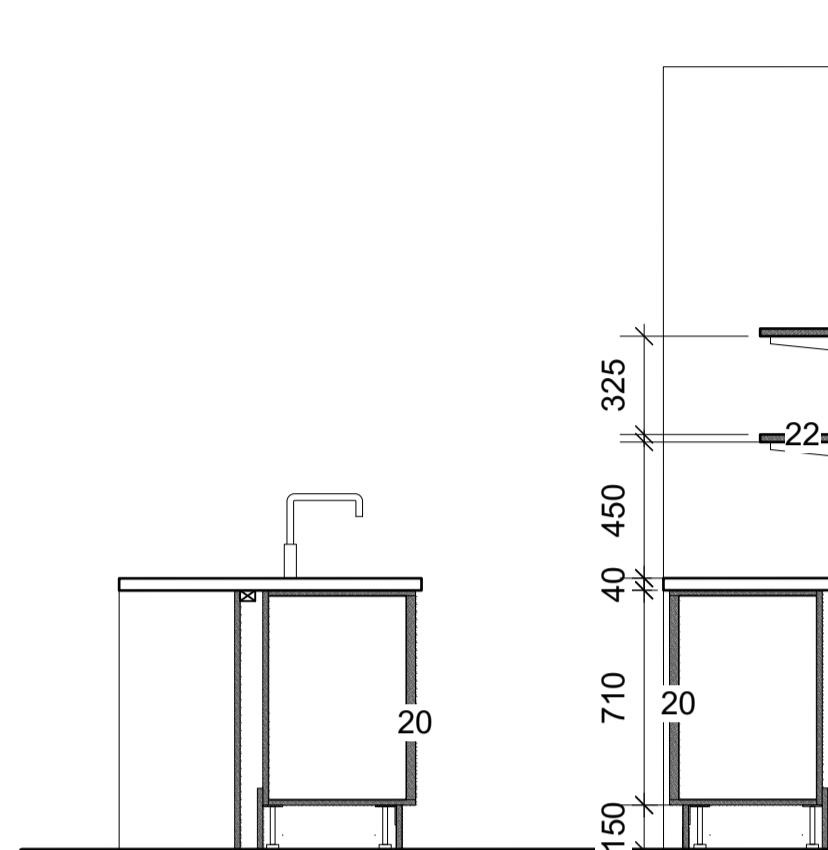
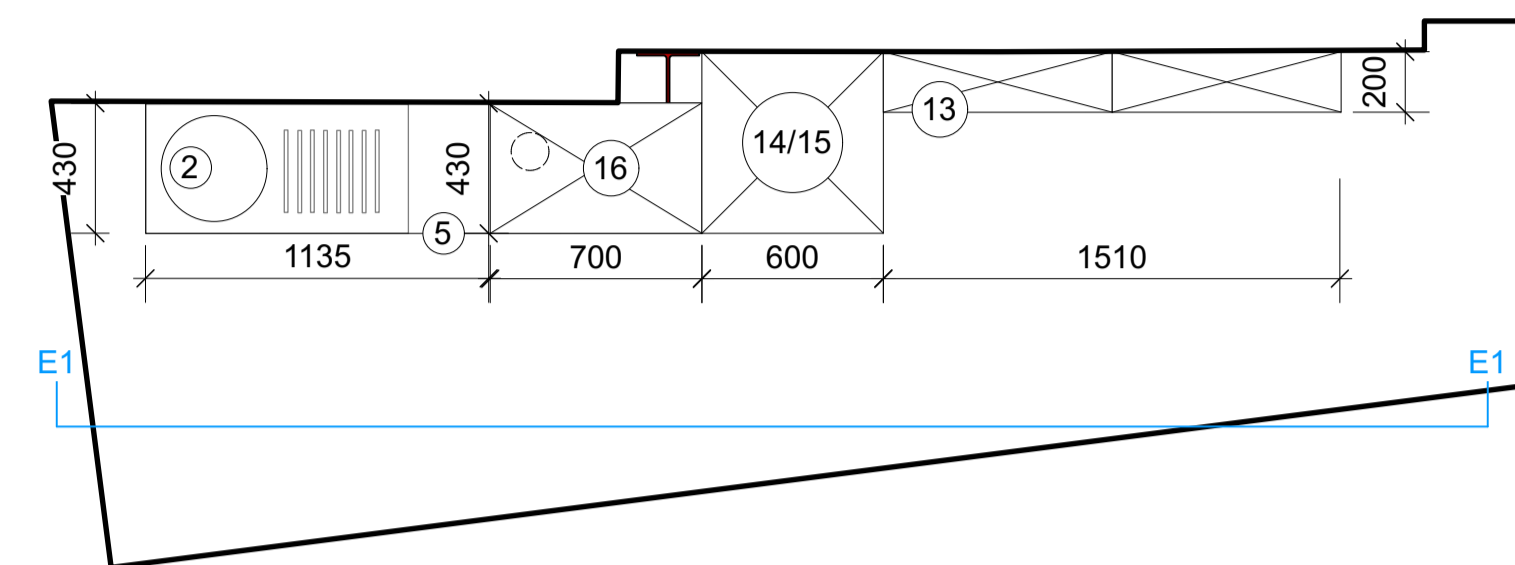


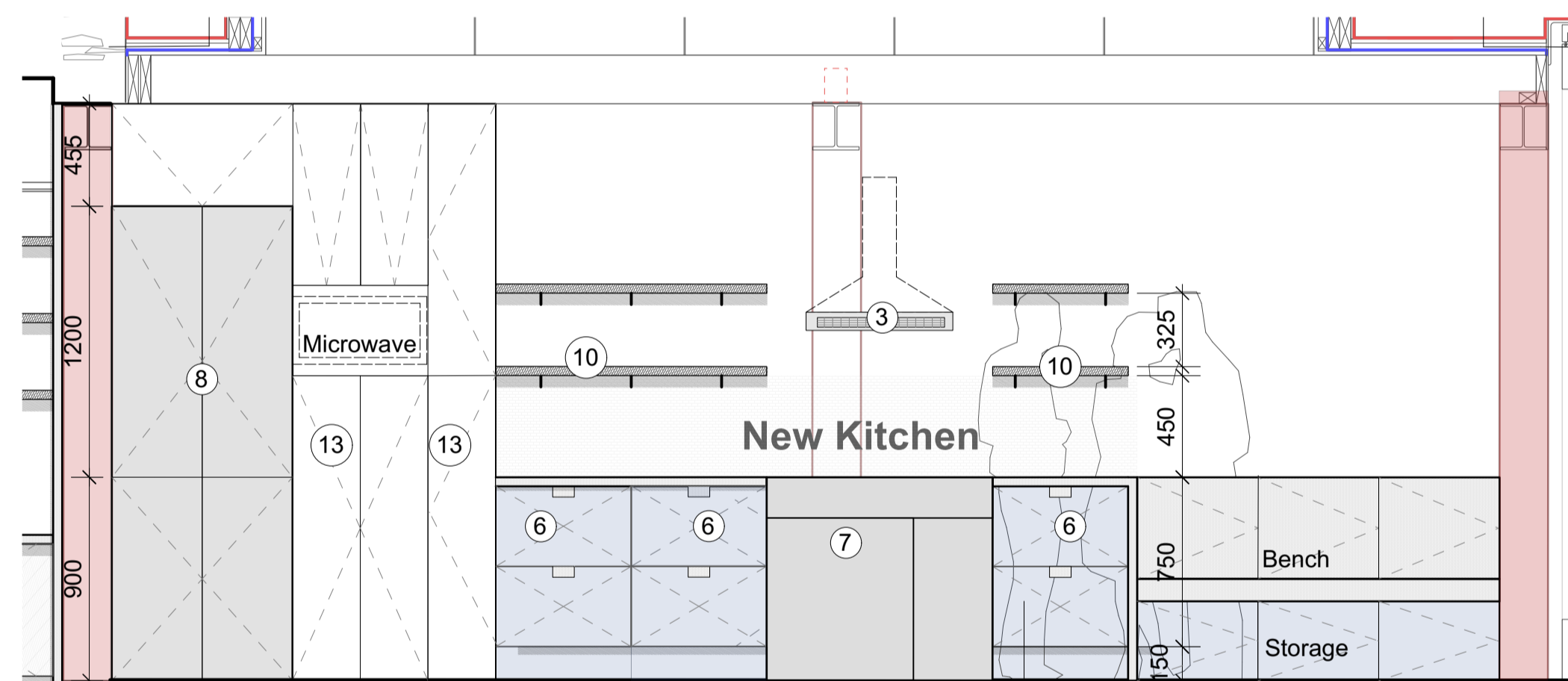
01 PROPOSED KITCHEN PLAN
1550



02 S2 PROPOSED KITCHEN SECTION
1550



04 PROPOSED UTILITY ROOM PLAN
1550



03 E1 PROPOSED KITCHEN ELEVATION
1550

KITCHEN KEY:

- 01. Cupboard (High level)
- 02. Cupboard & Integrated Waste Bin Under Undermounted Sink
- 03. Extractor fan
- 04. Cupboard (Lower level corner unit)
- 05. Cupboard (Lower level)
- 06. Drawers Unit
- 07. Range Cooker (Built under A rated appliance)
- 08. Fridge (A rated appliance)
- 09. Dishwasher (A rated appliance)
- 10. Open Shelf
- 11. Integrated Waste Bin
- 12. Hob (Built in counter A rated appliance)
- 13. Full height cupboard

FINISHES

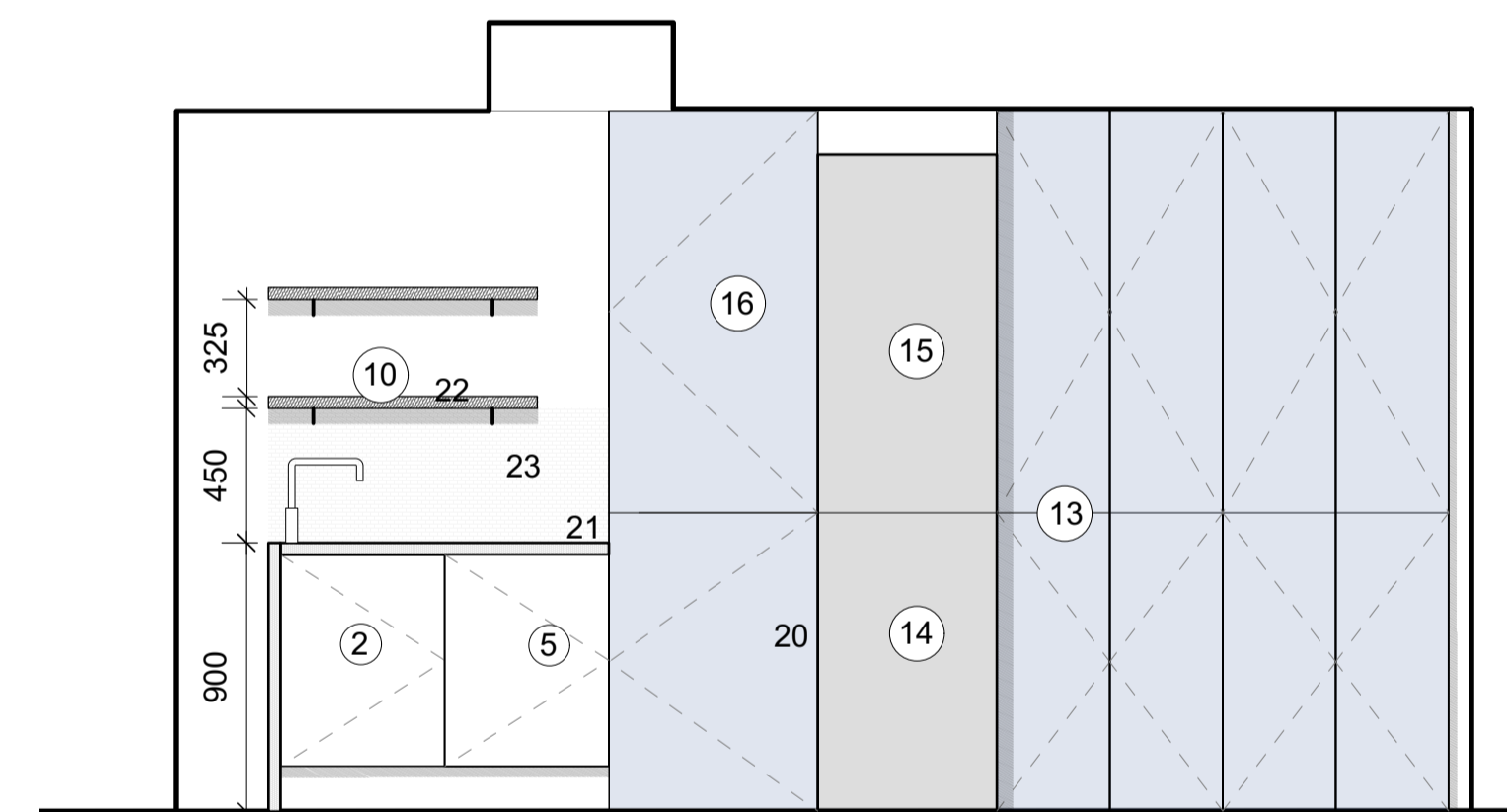
- 20. Formica Faced Birch Plywood doors, colour to architects approval
- 21. 25mm Ceramic Worktop - Concrete effect
- 22. Birch Plywood Shelving
- 23. Tile Finish, colour to architects approval

UTILITY ROOM KEY:

- 01. Cupboard (High level)
- 02. Cupboard (Lower level under sink)
- 03. Extractor fan
- 04. Cupboard (Lower level corner unit)
- 05. Cupboard (Lower level)
- 06. Drawers Unit
- 07. Single oven (Built under A rated appliance)
- 08. Fully Integrated Fridge (A rated appliance)
- 09. Dishwasher (A rated appliance)
- 10. Open Shelf
- 11. Integrated Waste Bin
- 12. Hob (Built in counter A rated appliance)
- 13. Full height cupboard
- 14. Washing Machine
- 15. Dryer
- 16. Combi Boiler

FINISHES

- 20. Formica Faced Birch Plywood doors, colour to architects approval
- 21. 25mm Ceramic Worktop - Concrete effect
- 22. Birch Plywood Shelving



05 E1 PROPOSED UTILITY ROOM ELEVATION
1550



IMAGES OF INFLUENCE



Deep Sea Formica Finish Birch Plywood Concrete Effect Ceramic Worktop Ceramica Vogue Tiling Solid Wood Floor

REVISION

revision	A	19/01/2022	REVISED LAYOUT
revision			
revision			
revision			

NOTES

levels All levels and dimensions to be checked onsite. Any discrepancies to be reported to Cooney Architects. Do not scale off this drawing. Use figured dimensions only.

This drawing is to be read in conjunction with all other relevant Engineering and Architectural drawings and specifications. General structure only. To be cross referenced with all associated Engineers drawings.

copyright This drawing and design is copyright, and may not be reproduced without Cooney Architects permission.

DESIGN TEAM

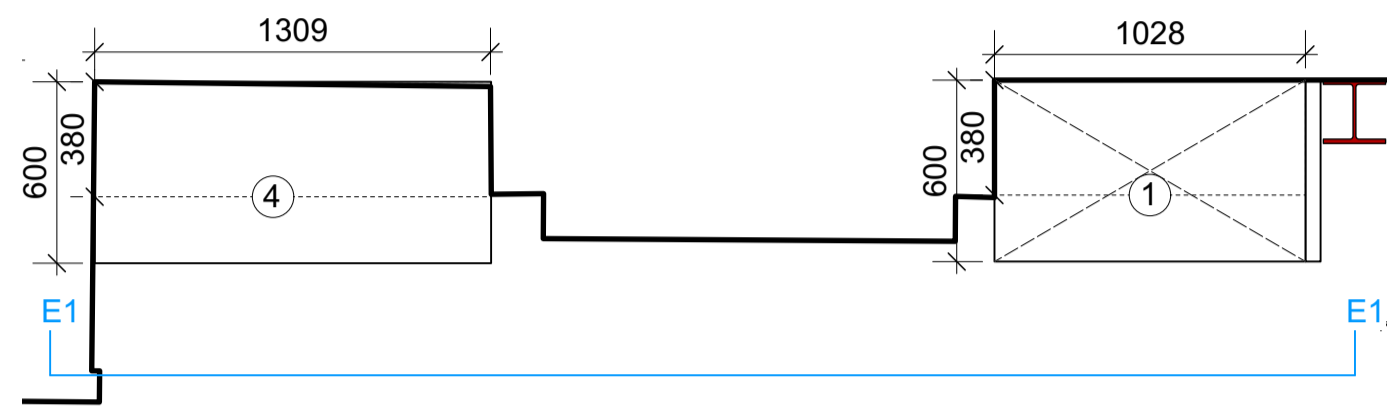
FOR TENDER

Cooney Architects

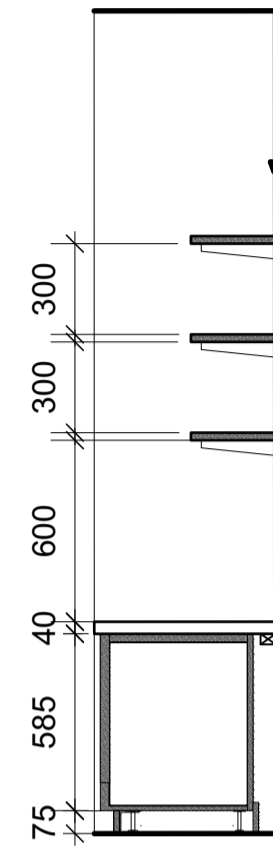
project title 10 Glenmalur Park Rialto
Dublin 8
client Julie Doyle
drawn by AOT
checked by BB

drawing no. 20029 -CA-JD-ZZ-DR-A-1550
drawing title [Fitted Furniture-Kitchen]
scale 1:100 @ISO A1 1:200 @ISO A3
date December 2020

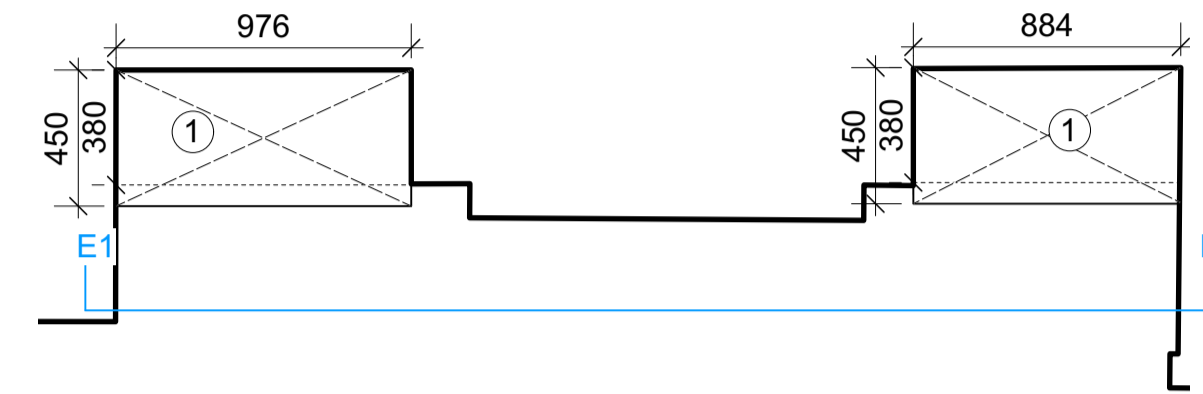
The Old Brewers Club
32 The Cobble, Dublin 8
T 01 4533 444 F 01 4533 445



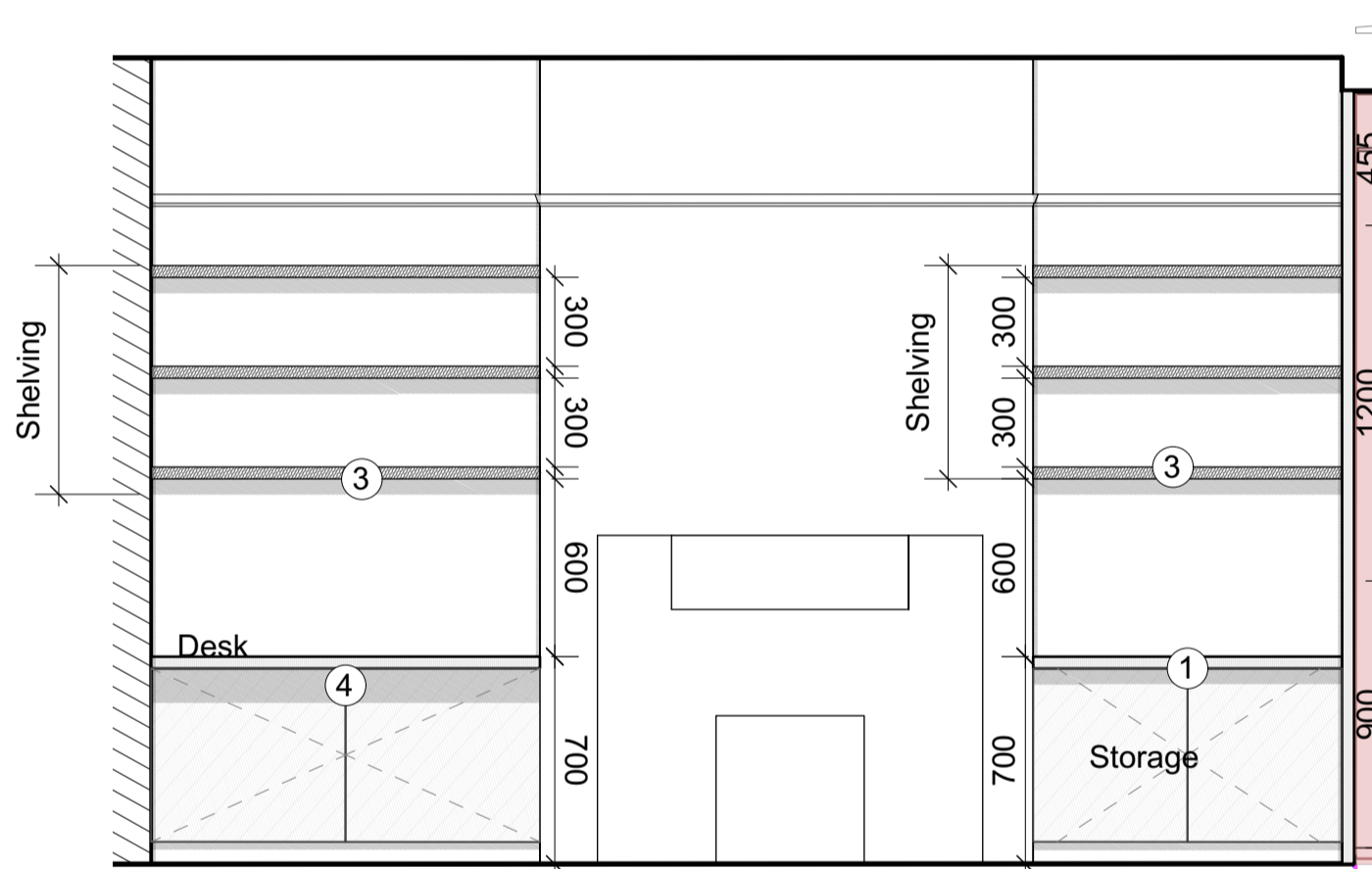
01 PROPOSED DINNING ROOM PLAN
1551



02 S2 PROPOSED SECTION
1551



04 PROPOSED SITTING ROOM PLAN
1551



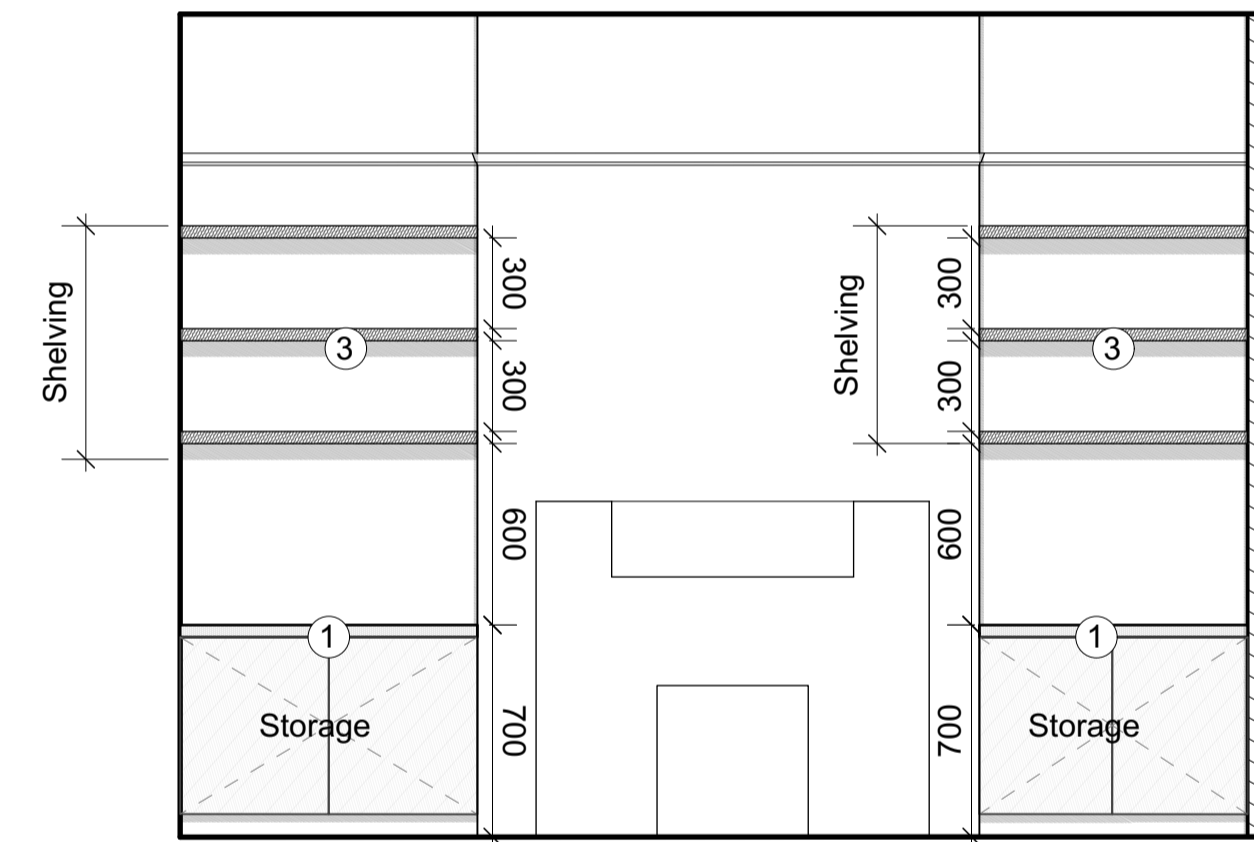
03 E1 PROPOSED DINNING ROOM ELEVATION
1551

STORAGE KEY:

- 01. Storage Press (Lower level)
- 02. Drawers Unit
- 03. Open Shelving
- 04. Desk

FINISHES

- 20. Formica Faced Birch Plywood doors, colour to architects approval
- 21. 25mm Ceramic Worktop - Concrete effect
- 22. Birch Plywood Shelving



05 E1 PROPOSED SITTING ROOM ELEVATION
1551

STORAGE KEY:

- 01. Storage Press (Lower level)
- 02. Drawers Unit
- 03. Open Shelving
- 04. Desk

FINISHES

- 20. Formica Faced Birch Plywood doors, colour to architects approval
- 21. 25mm Ceramic Worktop - Concrete effect
- 22. Birch Plywood Shelving



IMAGES OF INFLUENCE



Formica Finish

Birch Plywood

FINISHES

REVISION

revision
revision
revision
revision

NOTES

levels All levels and dimensions to be checked onsite. Any discrepancies to be reported to Cooney Architects. Do not scale off this drawing. Use figured dimensions only.

This drawing is to be read in conjunction with all other relevant Engineering and Architectural drawings and specifications. General structure only. To be cross referenced with all associated Engineers drawings.

copyright This drawing and design is copyright, and may not be reproduced without Cooney Architects permission.

DESIGN TEAM

FOR TENDER

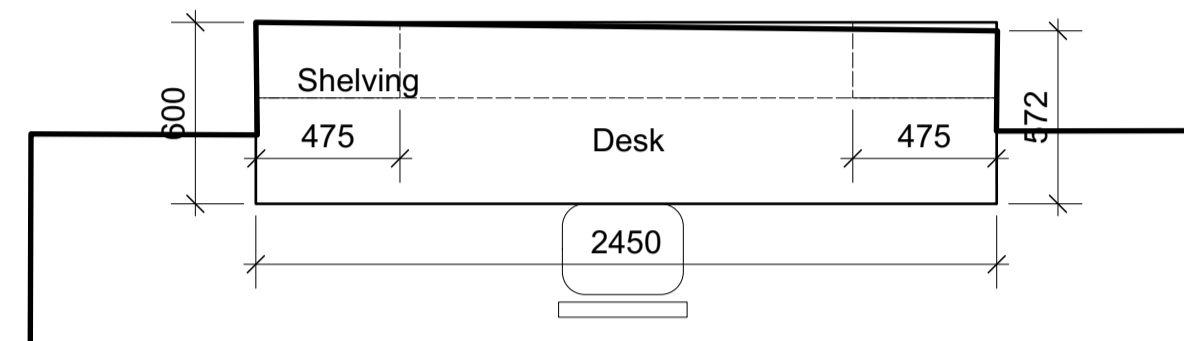
Cooney Architects

project title 10 Glenmalur Park Rialto
Dublin 8
client Julie Doyle
drawn by AOT
checked by BB

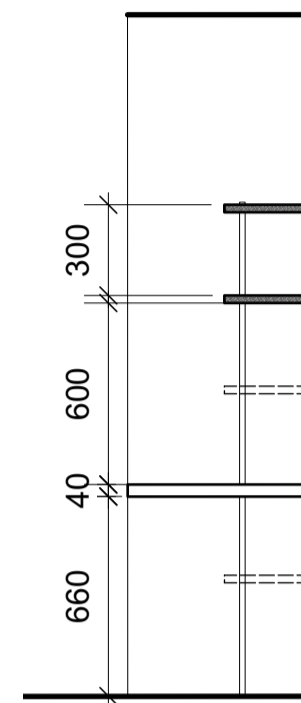
drawing no. 20029 -CA-JD-ZZ-DR-A-1551
drawing title [Fitted Furniture-Alcoves]
scale 1:100 @ISO A1 1:200 @ISO A3
date December 2020



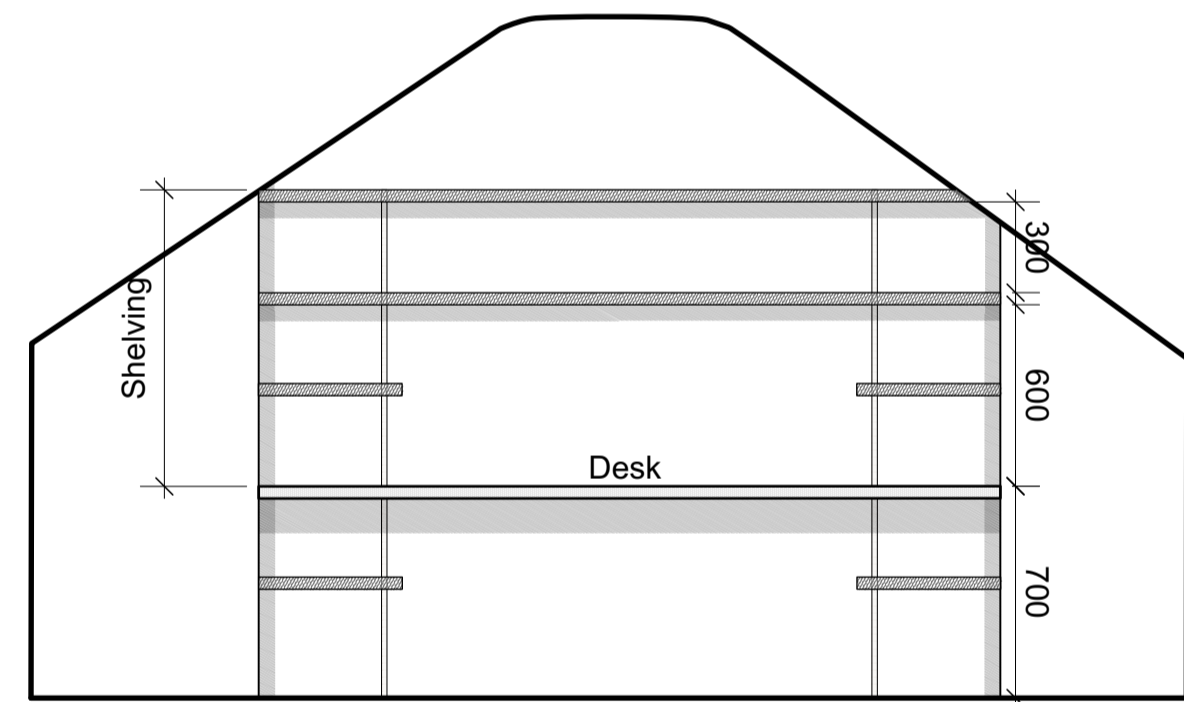
The Old Brewers Club
32 The Coombe, Dublin 8
T 01 4533 444 F 01 4533 445



01 PROPOSED ATTIC ROOM PLAN
1552



02 S2 PROPOSED SECTION
1552



03 E1 PROPOSED ATTIC ROOM ELEVATION
1552

STORAGE KEY:

- 01. Storage Press
- 02. Drawers Unit
- 03. Open Shelving
- 04. Desk

FINISHES

- 22. Birch Plywood Shelving



IMAGES OF INFLUENCE



Wall Paint



Birch Plywood

FINISHES

REVISION

revision
revision
revision
revision

NOTES

levels All levels and dimensions to be checked onsite. Any discrepancies to be reported to Cooney Architects. Do not scale off this drawing. Use figured dimensions only.

This drawing is to be read in conjunction with all other relevant Engineering and Architectural drawings and specifications. General structure only. To be cross referenced with all associated Engineers drawings.

copyright This drawing and design is copyright, and may not be reproduced without Cooney Architects permission.

DESIGN TEAM

FOR TENDER

Cooney Architects

project title 10 Glenmalur Park Riato
Dublin 8
client Julie Doyle
drawn by AOT
checked by BB

drawing no. 20029 -CA-JD-ZZ-DR-A-1552
drawing title [Fitted Furniture-Attic]
scale 1:100 @ISO A1 1:200 @ISO A3
date December 2020



The Old Brewers Club
32 The Coombe, Dublin 8
T 01 4533 444 F 01 4533 445